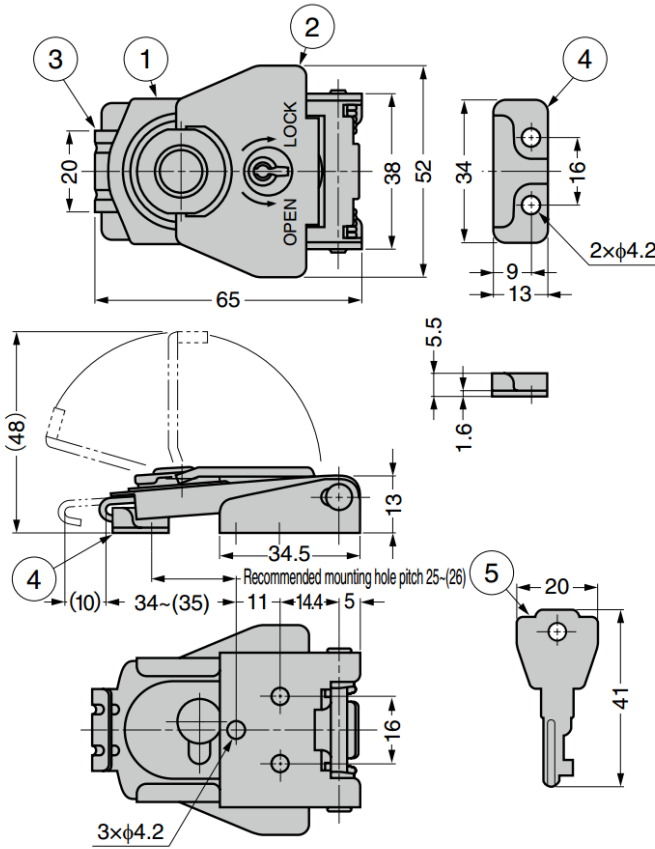


GP1040 Draw Latch

Features

- Lift handle and turn 180° to open or close latch
- Available in stainless steel and steel



No.	Part Name	Material
①	Body	GP1040SCR: Steel, chrome finish
②	Lever	GP1040SUS: Stainless steel
③	Hook	Stainless steel 430
④	Counter Plate	Steel, chrome finish
⑤	Key	Steel, nickel finish

Part No.	Key Type
GP1040SCR	Key Alike
GP1040SUS	